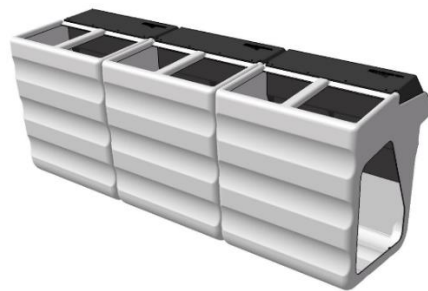




Product Sheet Wavebreaker®

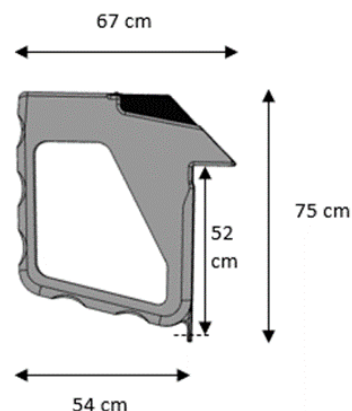
Overview

Wavebreaker is a noise reduction product for traffic noise based on a patented innovation. By its design, it emits "counter noise" that reduces noise on the receiver side. It is possible to achieve up to 7 dBA additional noise reduction with only 0.2 m increase in screen height. Wavebreaker is a lightweight product with negligible impact when mounting on existing noise screens.



Technical data

Noise reduction:	3-7 dBA (rail, road noise)*
Width:	50 cm
Height:	0,2 m above screen
Weight:	Approx. 8 kg/pc = 16 kg/m
Construction:	2 modules
Material:	Polypropylen, HD polyeten
Delivery:	Ready for assembly on noise barrier
Lifetime:	The life of the material in original color up to 50 years
Maintenance:	The material generally requires no maintenance



HD-polyeten is a thermoplastic with good chemical resistance and low water absorption.

Tensile strength:	20 MPa
Melting point:	135°
Fire properties:	HB (UL94) (Ignition temperature > wood)
UV resistance:	High

More data on request.

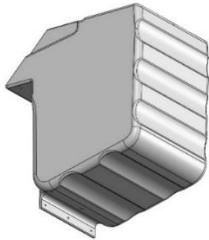
Polypropylen is a thermoplastic with good chemical resistance and low water absorption.

Tensile strength:	30 MPa
Melting point:	165°
Fire properties:	HB (UL94) (Ignition temperature > wood)
UV resistance:	High

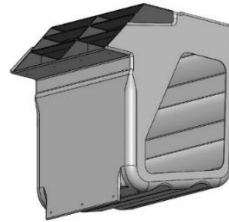
* The mentioned values/results are dependent on various parameters such as train data, noise spectrum, noise barrier design and quality, geometric data etc and actual results achieved in specific projects may vary.

Variants

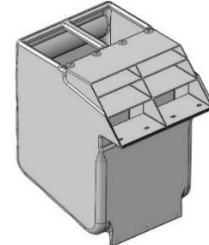
Wavebreaker is delivered according to a predetermined installation plan in three variants. Standard color is dark grey-black. Other colors can be obtained on request.



Module LEFT



Module MIDDLE with open sides



Module RIGHT

Installation

Wavebreaker is mounted on existing or new noise shields with 4 screws+washers at the top and 3 screws+washers at the bottom.

Contact us when the noise shield does not allow direct assembly or when placed on traffic barriers and railings, e.g. on bridges.

Recommended screw and washer for each noise screen type and material:

- Wood - Wood screw Ø6x60 A4
- Sheet metal / aluminum - Sheet metal screw thread pressing RTS Torx A4, ST 5.5x38
- Concrete - Expander screw Ø6x65 A4
- Use washer 6.4x35x1.5 A4 quality (acid proof) for all screws.



Recycling

Wavebreaker is made of up to 100% recycled plastic with a lifespan of up to 50 years. Modules can be reused elsewhere if applicable.

Used modules are recycled as industrial plastic. Wavebreaker AB can undertake to dispose of spent modules for recycling.

Maintenance

Ocular inspection once a year, e.g. between leaf fall and winter. Check for soiling, clogging of drainage holes, possible damage or other.

Cleaning is done with e.g. with high pressure washing. Larger material accumulations/items are removed manually. Contact us for installation in areas dense with deciduous trees.

See further in separate maintenance instructions.

Company contact

Wavebreaker AB
Stamsjövägen 20A, 443 39 Lerum, Sweden
Mail: info@wavebreaker.net
Telefon: +46 705397240

Wavebreaker is assessed as recommended according to Byggvarubedömningen. Read more: www.byggvarubedomningen.com

